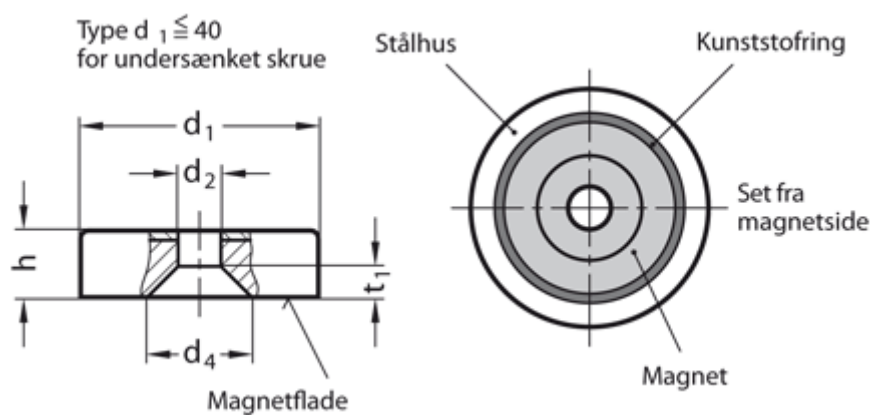


Article number: 201227030

Description: E+G Magnet - with bore GN 50.45-HF-25-7-5,5  
HF hard ferrite - 200°C, 58N

## Measures



$d_1$  =  $32 \pm 0,1$

$d_2$  = 5.5

$d_4$  = 11.5

$h$  =  $7 +0,3/-0,2$

Holding force N = 58

Material = HF hard ferrite - 220°C

$t_1$  = 3.0